

668090" FZFB2E60

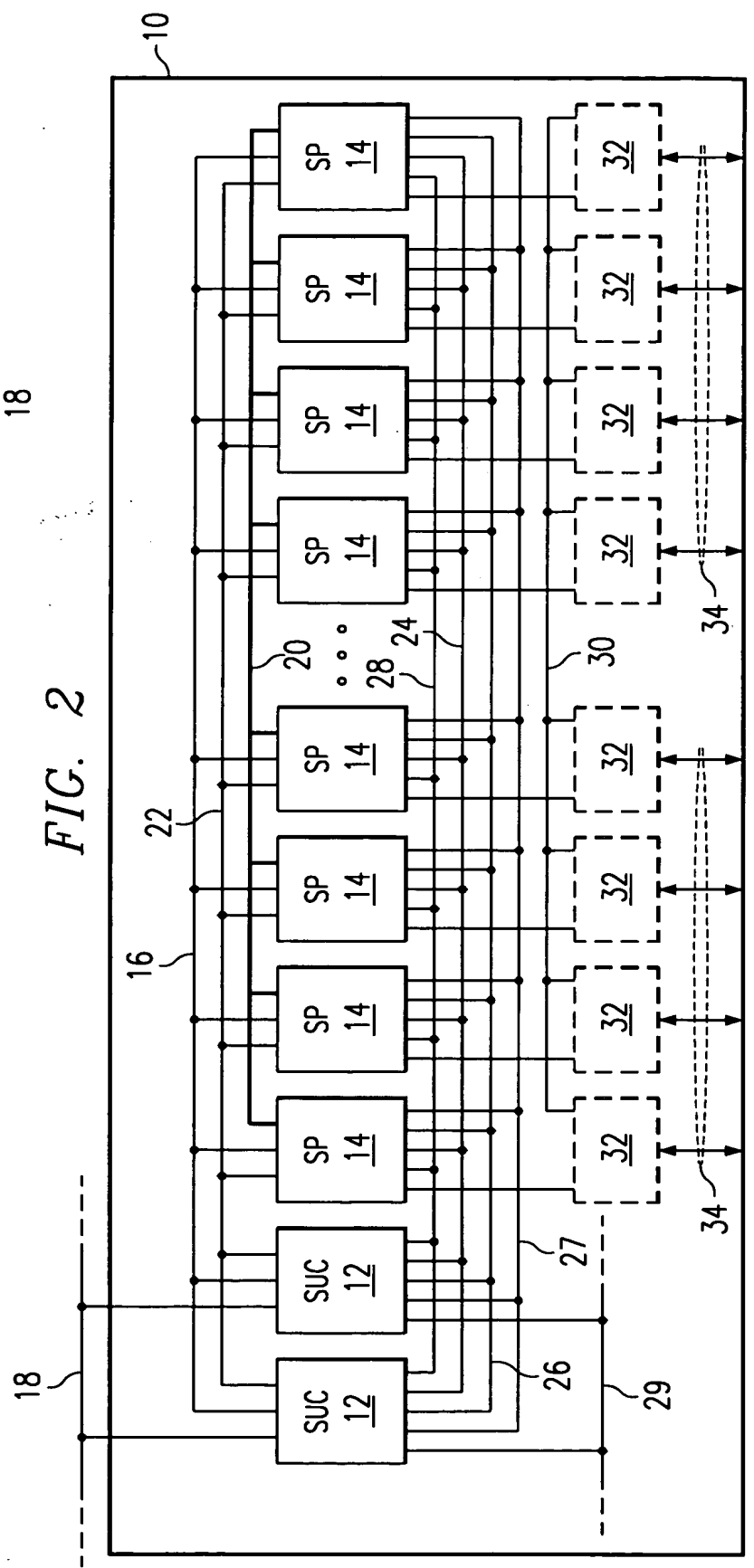
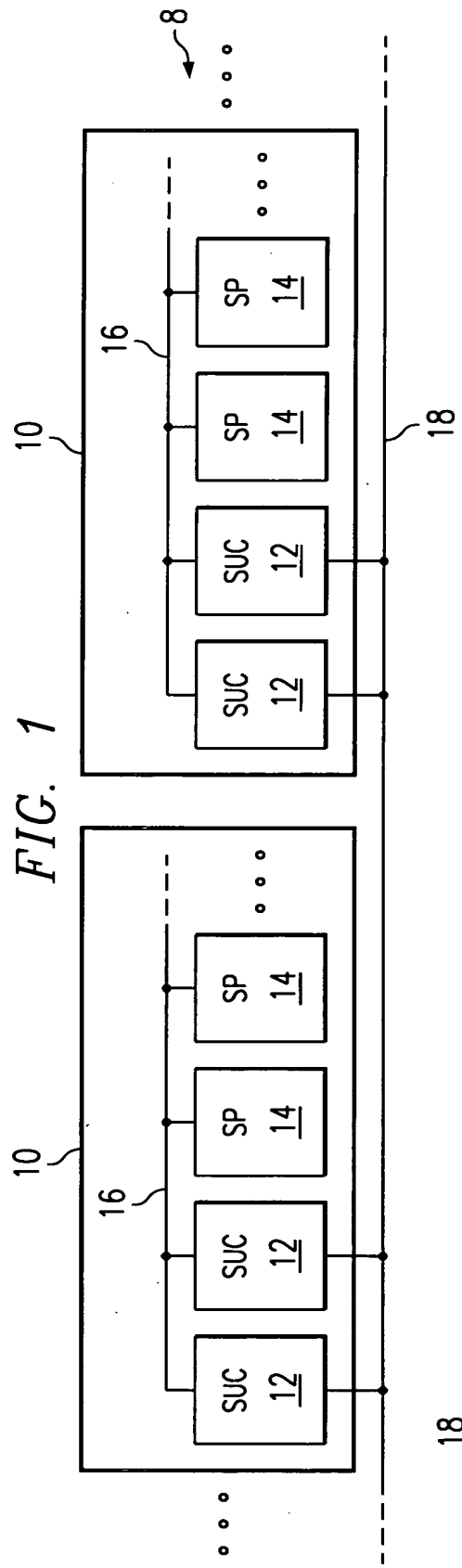


FIG. 3

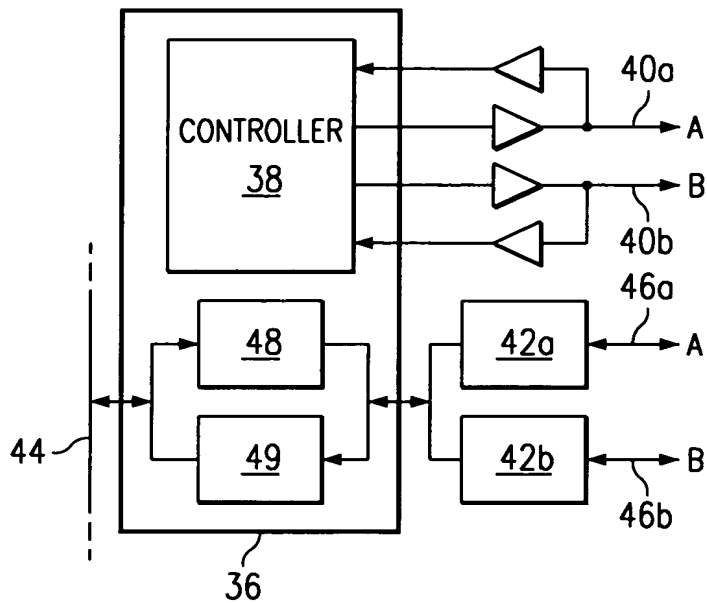


FIG. 4

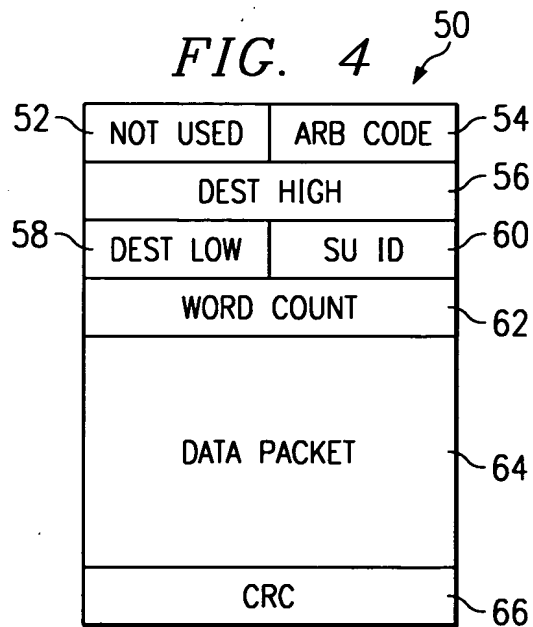


FIG. 5A

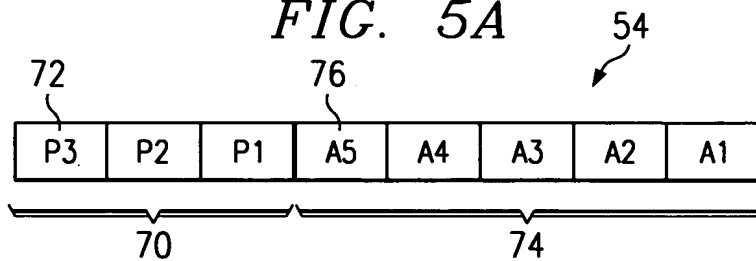
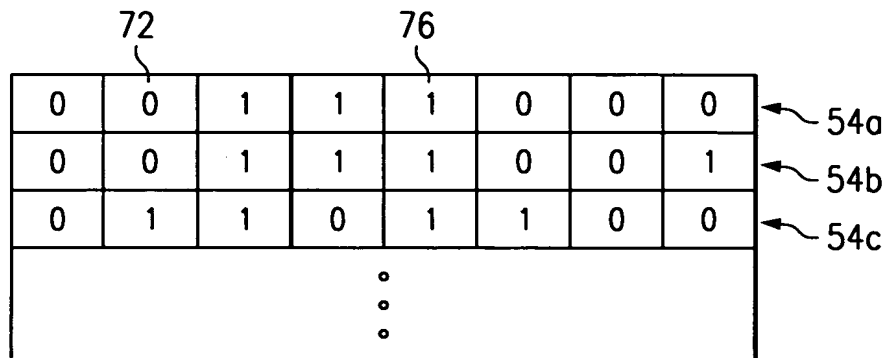


FIG. 5B



668090 "FREE"

APPROVED	O.G. FIG. 9	
BY	CLASS	SUBCLASS
DRAFTSMAN	370	389

FIG. 6

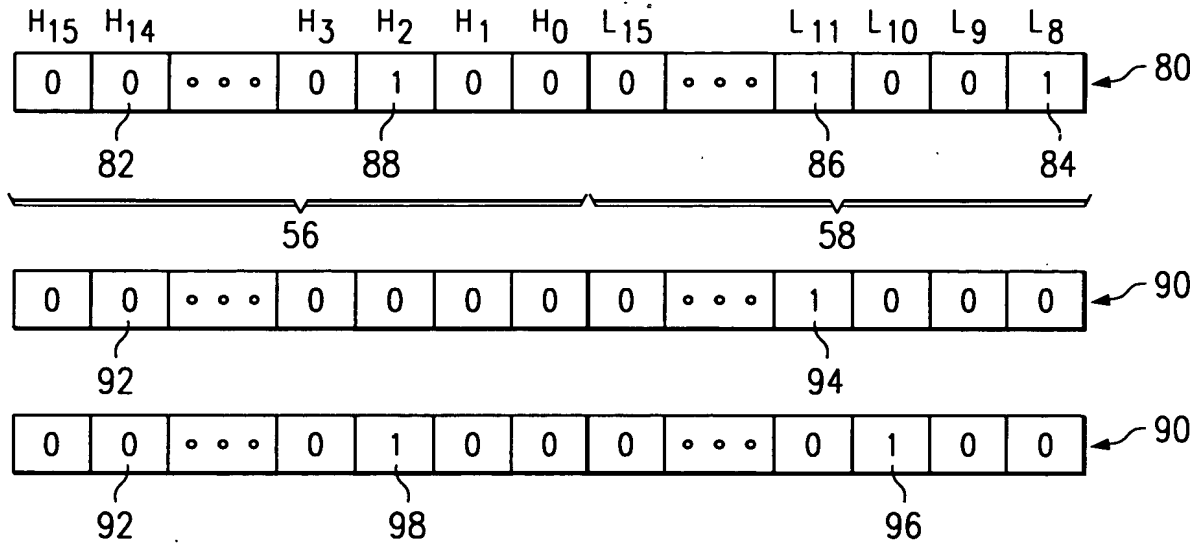
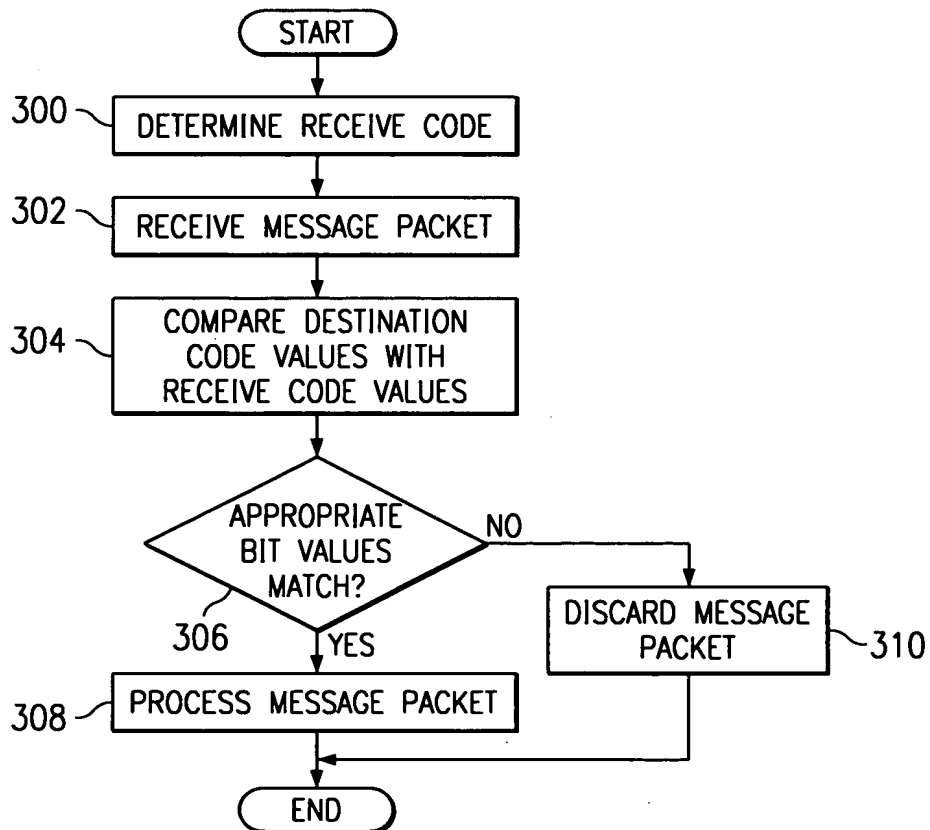


FIG. 9



66090" FZFB2E60

FIG. 7A

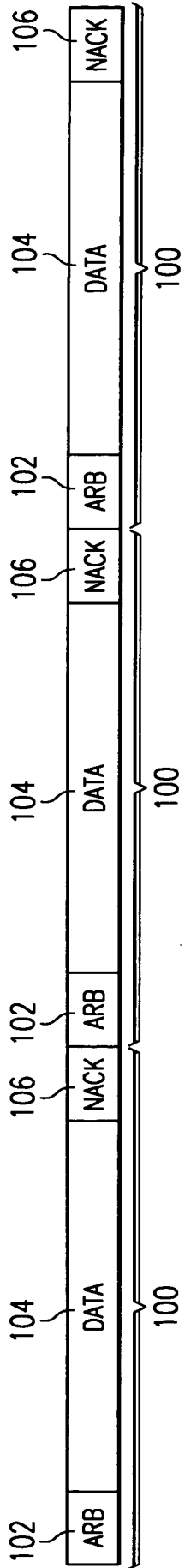


FIG. 7B

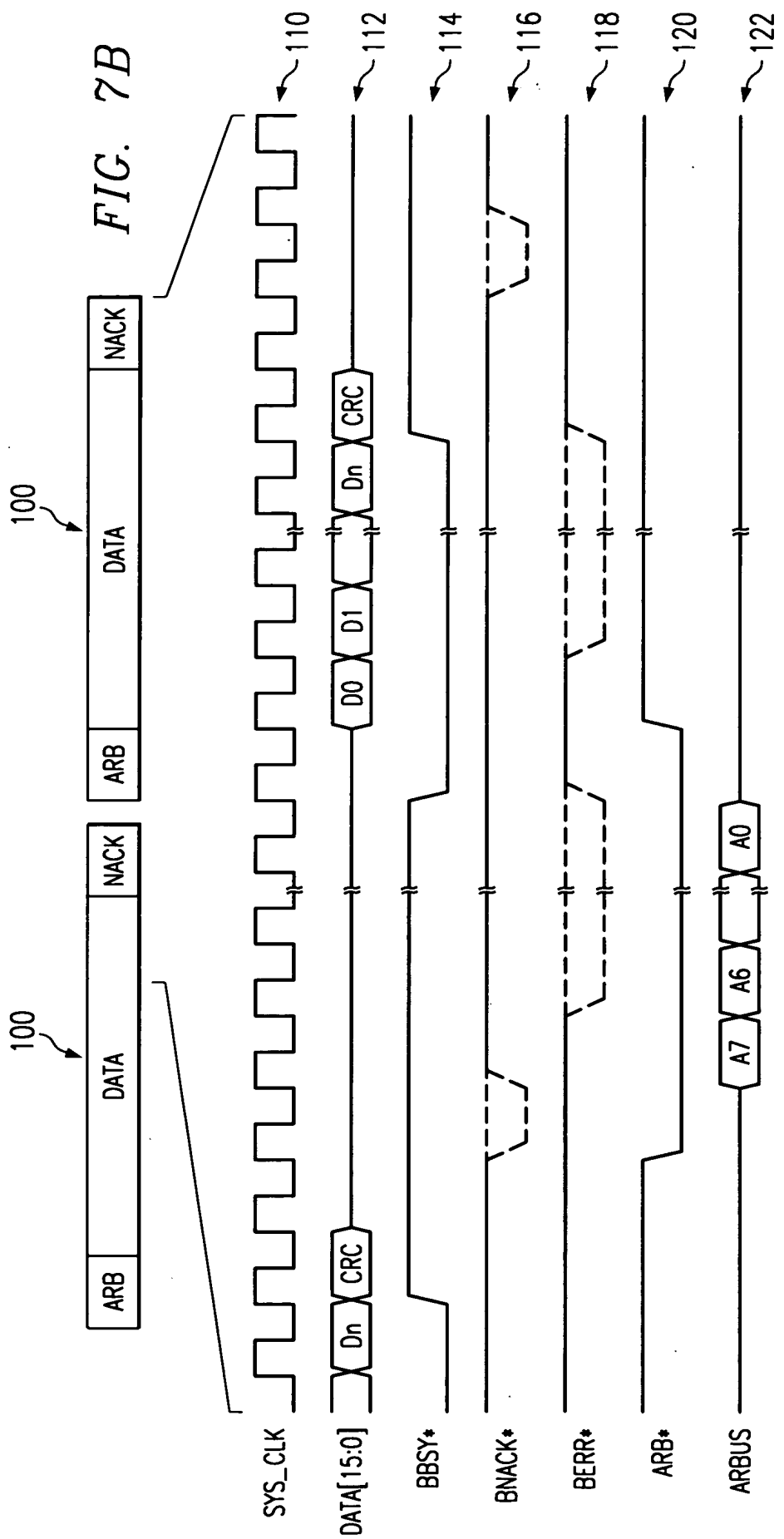
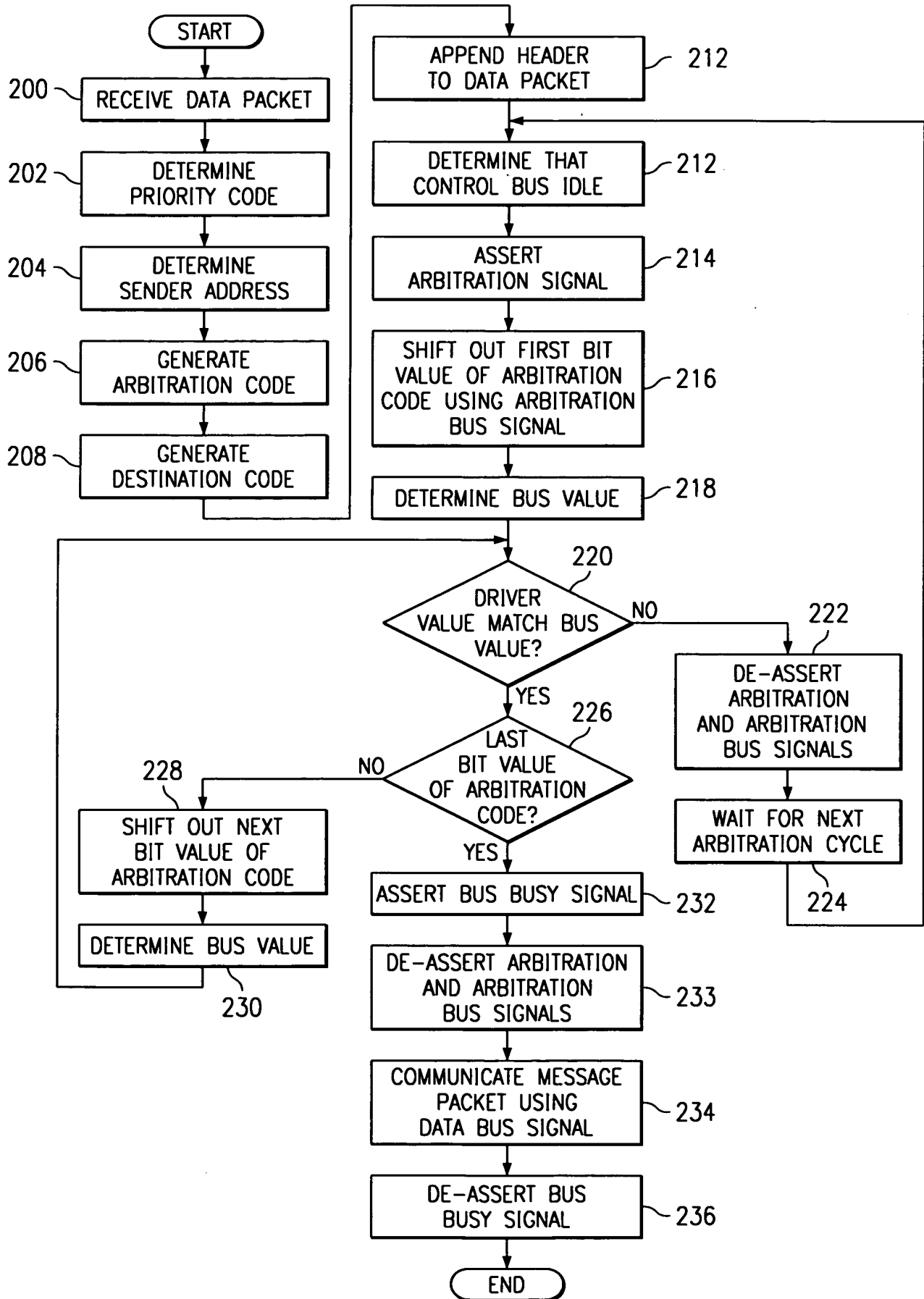


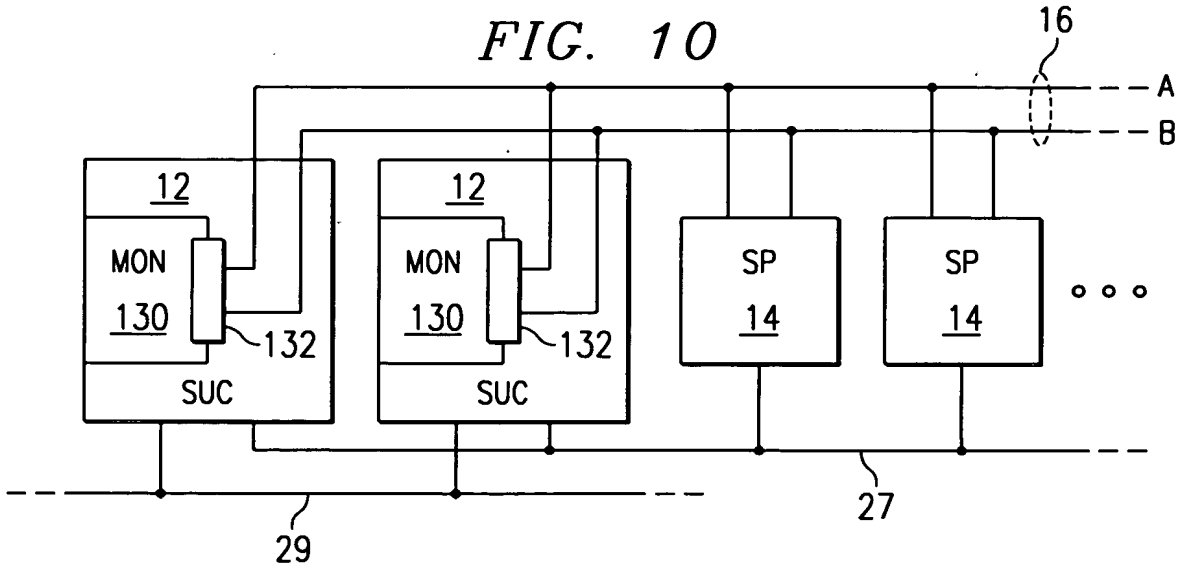
FIG. 8



062891.0284

APPROVED	O.G. FIG.	
BY	CLASS	SUBCLASS
DRAFTSMAN		

FIG. 10



140

142	A	B
144	0	0
146	0	1
148	1	0
	1	1

FIG. 12

068090" F2FB2E60

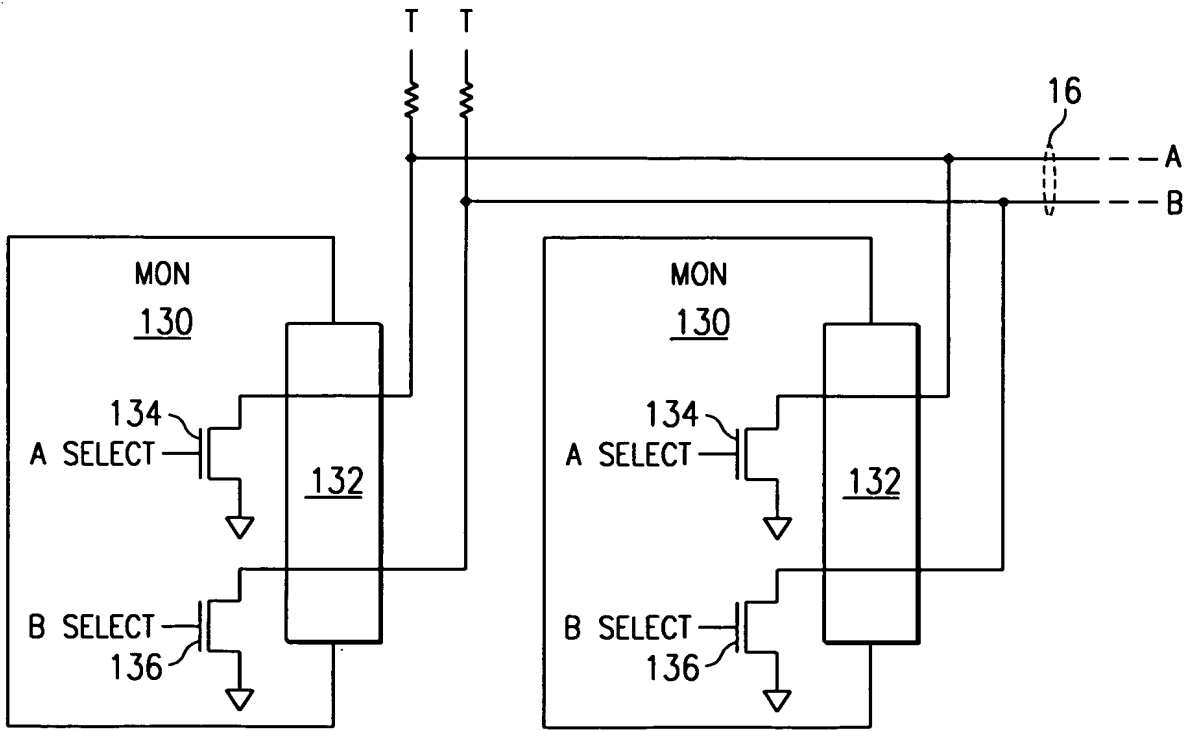


FIG. 11

APPROVED	O.G. FIG.	
BY	CLASS	SUBCLASS
DRAFTSMAN		

663030" T4TB2E60

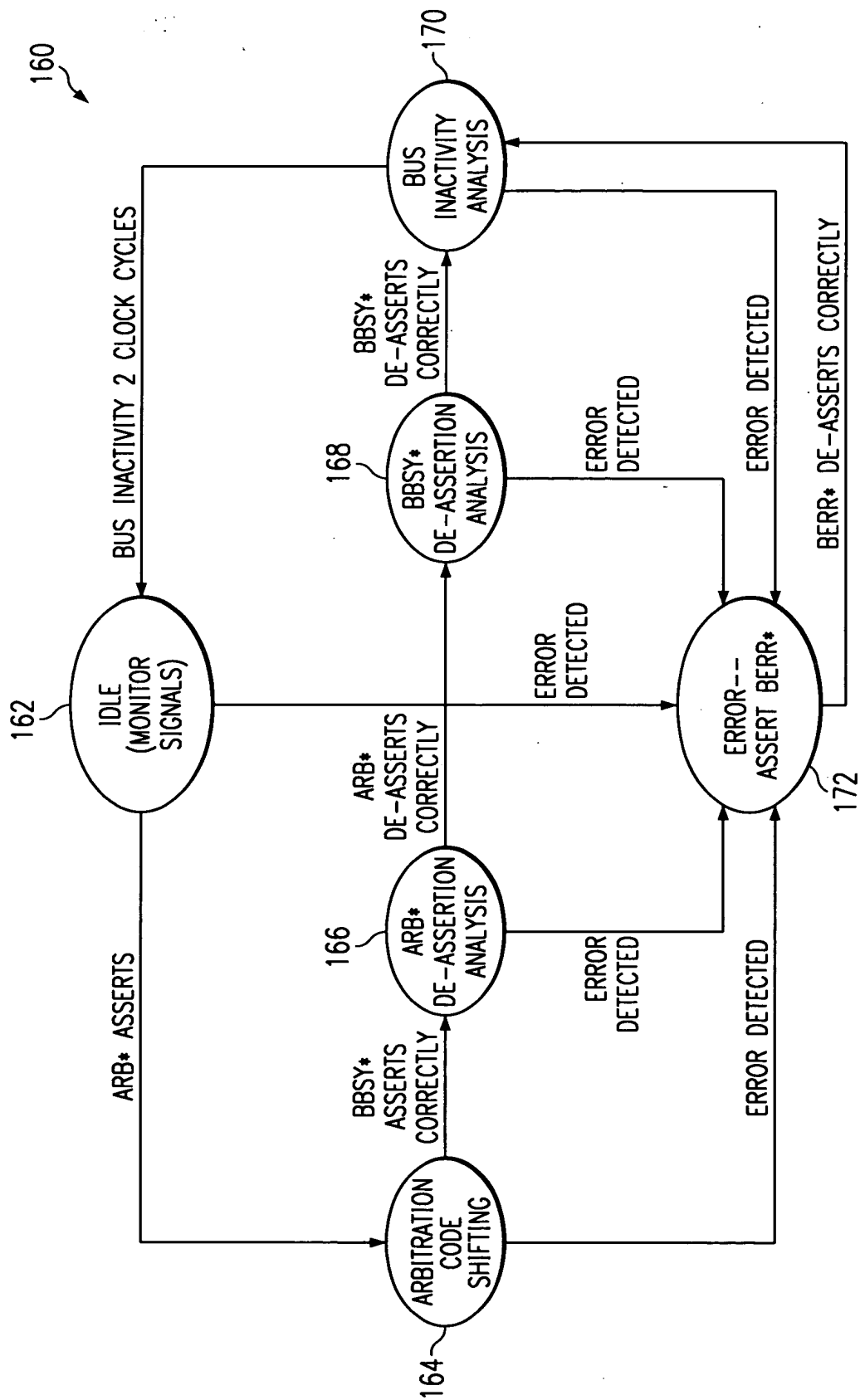
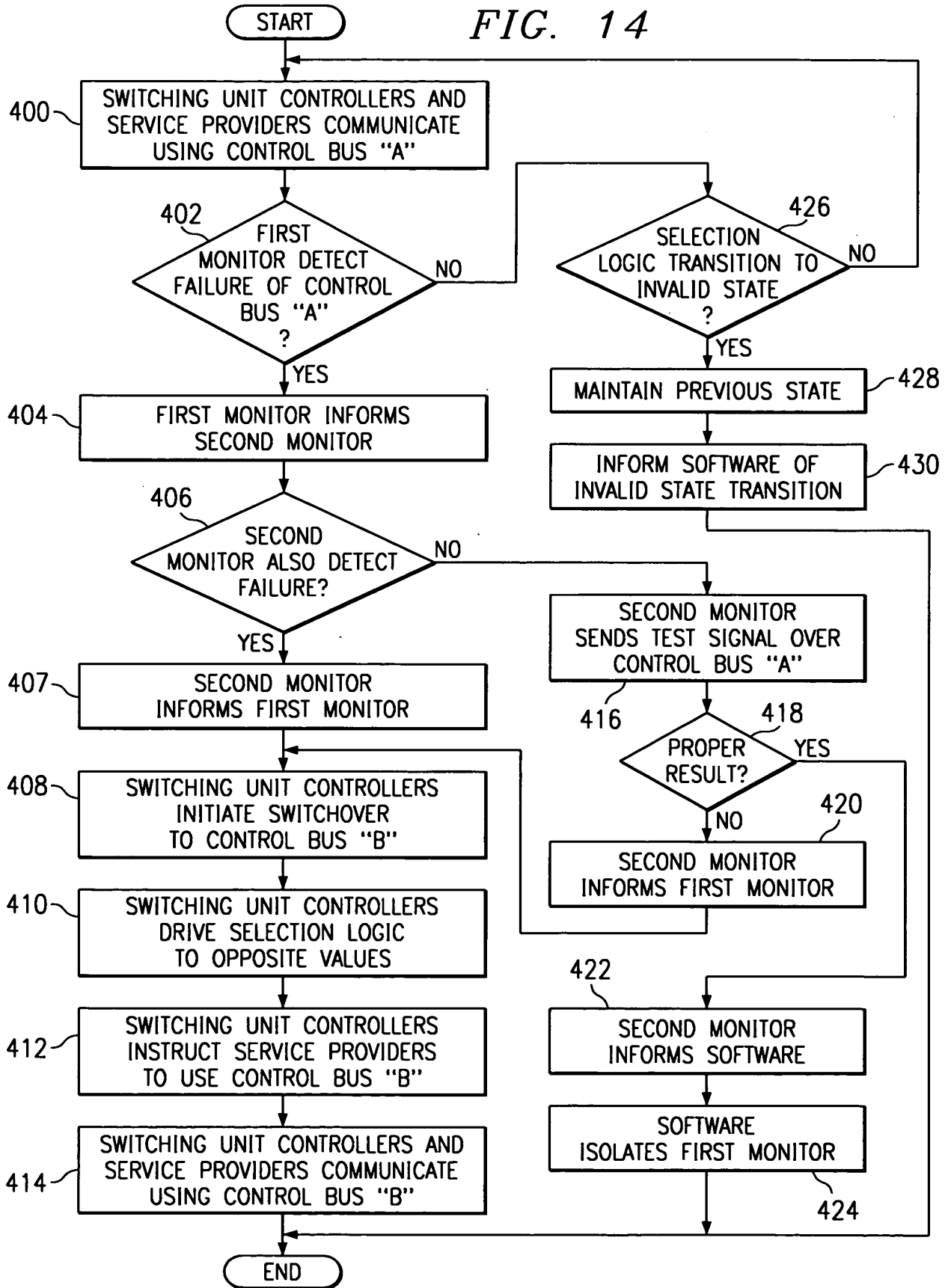


FIG. 13

APPROVED	O.G. FIG.	
BY	CLASS	SUBCLASS
DRAFTSMAN		

FIG. 14



66890" FZFBEE60